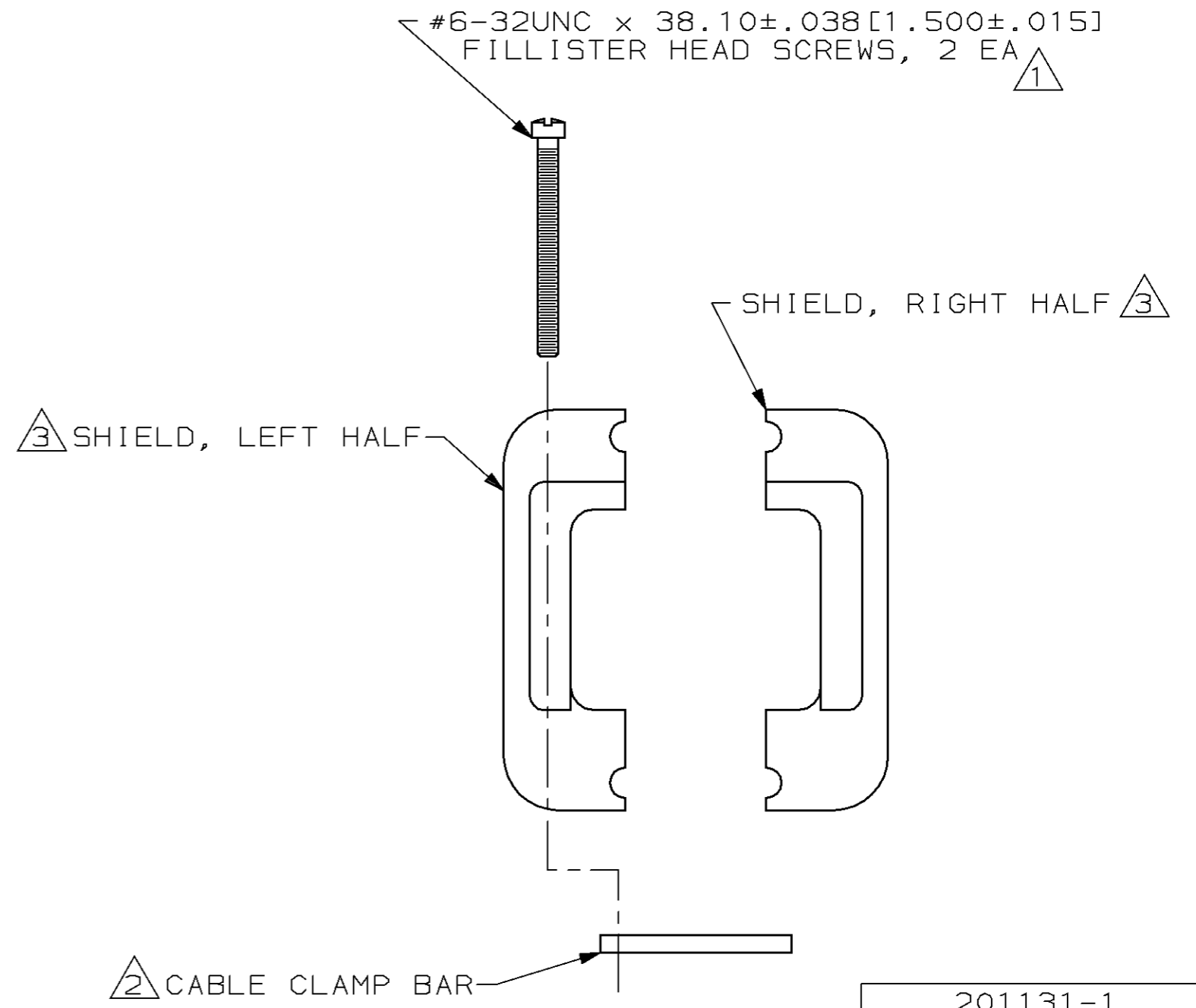
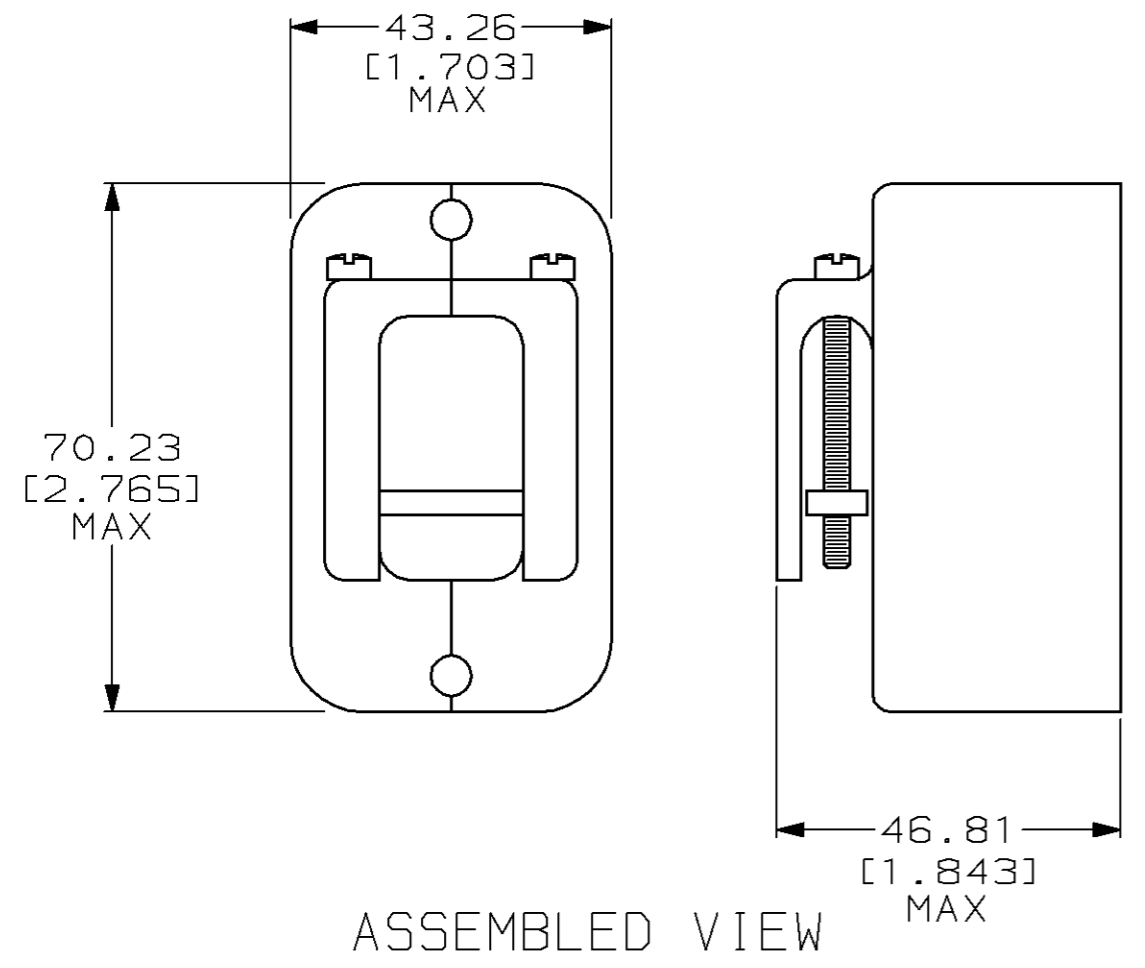


THIS DRAWING IS UNPUBLISHED. RELEASED FOR PUBLICATION ,19 .
 © COPYRIGHT 19 BY AMP INCORPORATED. ALL RIGHTS RESERVED.

LOC	DIST	REVISIONS			
P	LTR	DESCRIPTION	DATE	DWN	APVD
BD	36	M	REDRAWN PER EC 0020-1178-94	25 JUL 95	CR AC



- 1 MATERIAL: CARBON STEEL.
FINISH: ZINC PLATED.
- 2 MATERIAL: ALUMINUM.
FINISH: ANODIZED.
- 3 MATERIAL: ALUMINUM.
FINISH: 5.08µm [.000200] MIN NICKEL.

201131-1
 PART NUMBER

THIS DRAWING IS A CONTROLLED DOCUMENT FOR AMP INCORPORATED. IT IS SUBJECT TO CHANGE AND THE CONTROLLING ENGINEERING ORGANIZATION SHOULD BE CONTACTED FOR THE LATEST REVISION.		DWN	25 JUL 95	AMP	AMP Incorporated		
DIMENSIONS: mm [INCHES]		CHK	26 JUL 95		Harrisburg, PA 17105-3608		
TOLERANCES UNLESS OTHERWISE SPECIFIED:		APVD	05 OCT 95		NAME		
0 PLC ±-		G. STEINHAUER		SHIELD KIT, UNASSEMBLED,			
1 PLC ±-		PRODUCT SPEC		104 PLACE, COMPLETE, M SERIES			
2 PLC ±-		APPLICATION SPEC		SIZE	CAGE CODE	DRAWING NO	
3 PLC ±-		-		A3	00779	C-201131	
4 PLC ±-		-		SCALE 1:1 SHEET 1 OF 1 REV M			
ANGLES ±-		-					
MATERIAL	FINISH	WEIGHT					
SEE CALLOUTS	SEE CALLOUTS	.1102 LB					
		CUSTOMER DRAWING					